



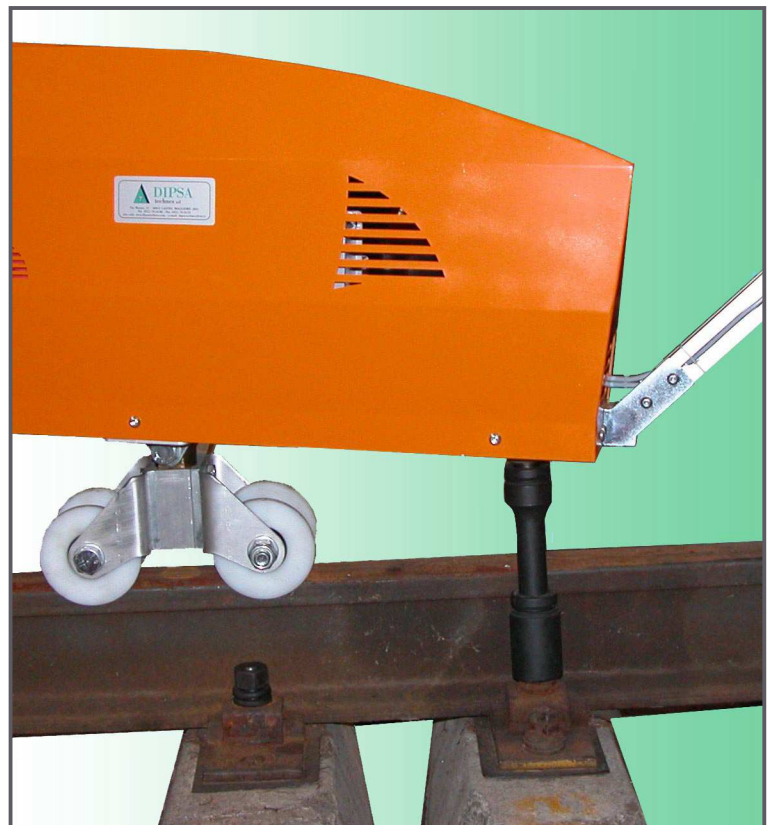
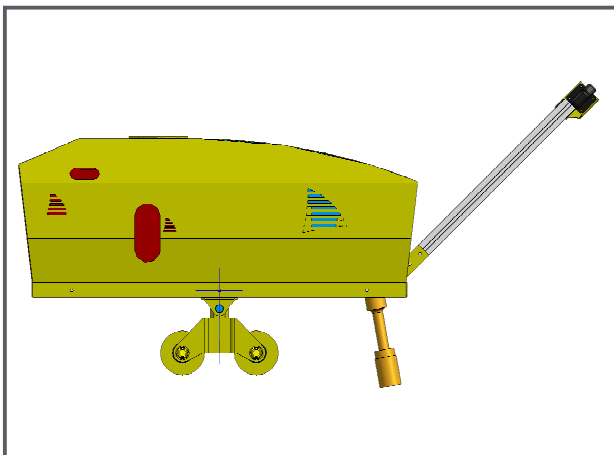
# DIPSA

Technes S.r.l.

Via Buozzi, 51  
40013 Castel Maggiore (BO)  
Tel. +39 051 705388  
Fax +39 051 705452  
www.dipsatechnes.com

## SUPER-LIGHT ELECTRONIC SLEEPER-SCREW SPIKING MACHINE

# IES



Azienda con sistema di gestione  
per la qualità certificato  
UNI EN ISO 9001:2000  
Cert. N. 0011866



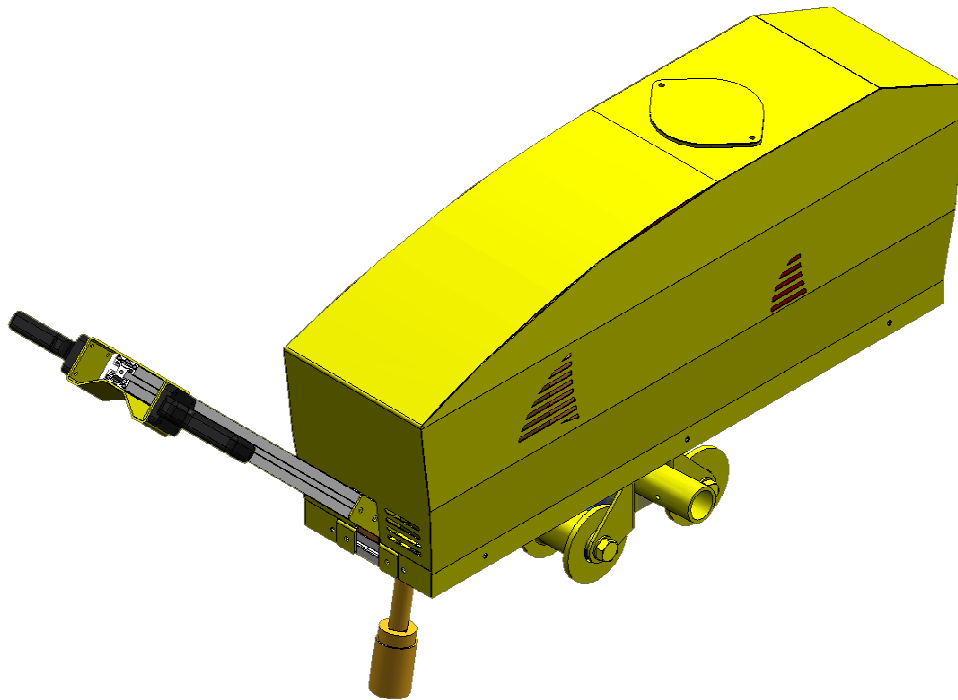
# DIPSA

Technes S.r.l.

Via Buozzi, 51  
40013 Castel Maggiore (BO)  
Tel. +39 051 705388  
Fax +39 051 705452  
www.dipsatechnes.com

## SUPER-LIGHT ELECTRONIC SLEEPER-SCREW SPIKING MACHINE

# IES



The machine has been designed for screwing or unscrewing fastening systems.

A generator with a 4-stroke endothermic engine is envisaged, required to power an electric motor with a nominal power consumption of 550 Watts. The screwing system uses impulses, as this allows a higher tightening torque and avoids the reaction moment.

The direction of the spindle rotation and the tightening torque can be selected respectively on the handlebar using a switch and/or potentiometer; the handlebar controls are 12 Volt DC for the operator's safety.

The frame of the machine and the superstructure are made of aluminium, the wheels are nylon so the machine is insulated electrically.

An arm with a third wheel is available as an optional.

Lighting system for use at night or in tunnels.

Bush quick-release.

## TECHNICAL SPECIFICATIONS

<i>Spindle idling speed:</i>	1000 rpm
<i>Max. tightening torque:</i>	700 Nm
<i>Bush coupling:</i>	1"n
<i>Generator:</i>	220 Volt / 1000 Watt
<i>Overall weight:</i>	35 kg (without trolley)
<i>Trolley weight:</i>	5 kg