



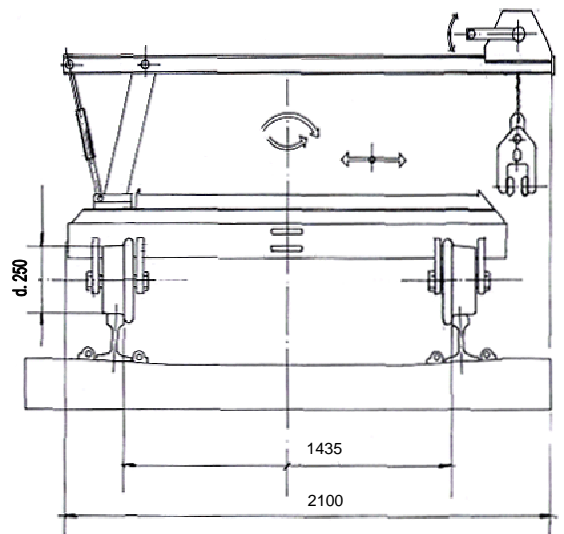
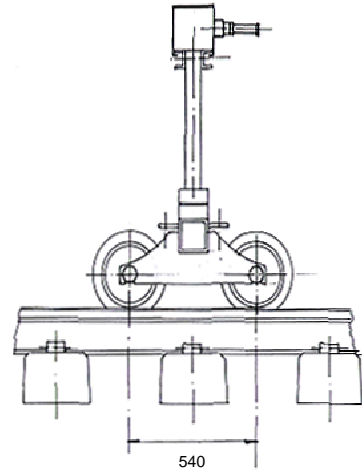
DIPSA

Technes s.r.l.

CRANE MOUNTED ON THE MOBILE UNIT

Via Buozzi, 51
40013 Castel Maggiore (BO)
Tel. +39 051 705388
Fax +39 051 705452
www.dipsatechnes.com

GRC



TECHNICAL SPECIFICATIONS

- Lifting capacity with trolley 10000 Kg
- Structure's width 2100 mm
- Rotating and sliding load plane is provided of block device to the plane both sides
- To avoid derails the wheel base is high (540mm), obtained by means of steel flanges
- Steel wheels (250mm diameter), mounted on tapers rollers bearings
- Gauge 1435mm

- Central hitch
- Parking block brake on 2 wheels
- Draw rod
- Jib adjustable position
- The crank hoist is provided of braking device and sliding on the superior mobile beam crane (lifting capacity 1000 kg)
- 3 meters lifting chain provided of rollerclamp for rail hooking and sliding

The contents of the present documentation are not binding for DIPSA TECHNES s.r.l. who reserves the right to make modifications of any kind, at any time, without bringing this publication up-to-date.



Azienda con sistema di gestione
per la qualità certificato
UNI EN ISO 9001:2000
Cert. N. 0011866