



DIPSA

Technes S.r.l.

Via Buozzi, 51
40013 Castel Maggiore (BO)
Tel. +39 051 705388
Fax +39 051 705452
www.dipsatechnes.com

PORTABLE SLEEPERS DRILLING MACHINE

FOP



Azienda con sistema di gestione
per la qualità certificato
UNI EN ISO 9001:2000
Cert. N. 0011866



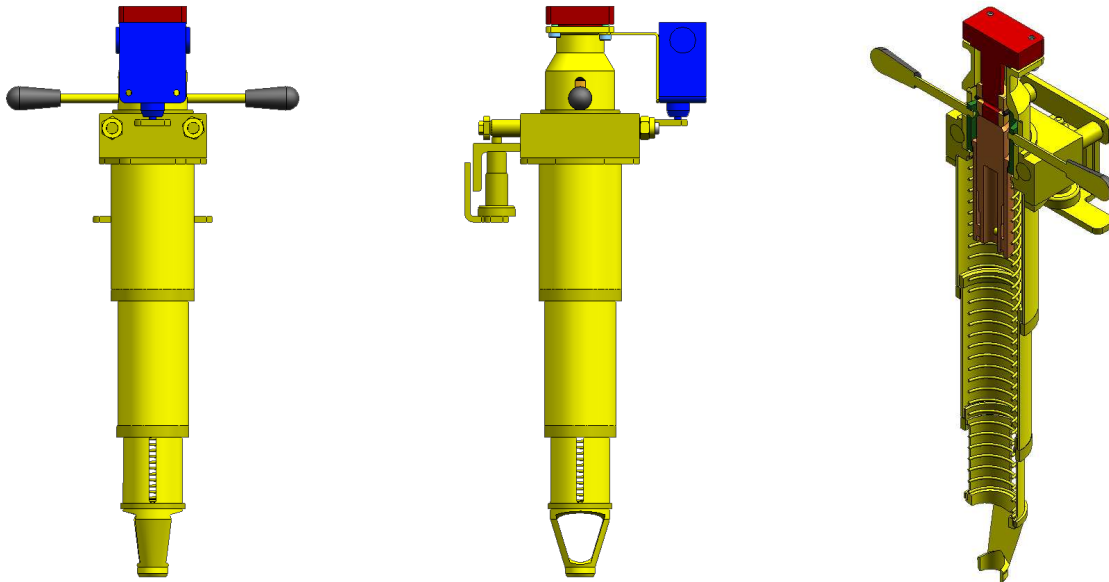
DIPSA

Technes S.r.l.

PORTABLE SLEEPERS DRILLING MACHINE

Via Buozzi, 51
40013 Castel Maggiore (BO)
Tel. +39 051 705388
Fax +39 051 705452
www.dipsatechnes.com

FOP



TECHNICAL SPECIFICATIONS

- Engine power 1,3 KW STIHL made, two-strokes, fuel supply mixture 2%
- Closed frame-handlebar protects engine and gear system during handling and reduces vibrations in the handgrip
- The driveline motion is through centrifugal clutch
- Pre-set-up drilling depth; drilling capacity until diameters of 20 mm and drilling depth until 200mm
- Fast locking spindle; on equipment n° 1 standard spindle 14 mm diameter and 16 mm diameter
- Fast release in case of blocking during drilling operations
- Vibrations dumpings which reduces vibrations on handlebar
- Ground cloth
- Drill bit fender by means of telescopic spring system
- Double mechanic safety for drill bit fender, compatibly with burr leaking, with narrow slot inspections. Drill bit fender can be unlocked only willfully because an elastic retainer prevents any accidental releases
- Drill bit fender is fitted of electric security to avoid each function in case of accidental contacts
- The silencer is protected by accidental contacts
- QUICKSTOP security level, to stopping each spindle rotation in case of accidental contacts
- Weight 13 kg
- The machine can be equipped with a small trolley for moving the machine over the rails
- 3 Drill bits: 14-16-18 mm diameter
- The sound intensity level is (in severity conditions) 92 db
- The vibrations intensity level is (ISO 8662 based): right handgrip 7,3 m/sec², left handgrip 7,1 m/sec²

The equipment keep to 626/94's and "DIRETTIVA MACCHINE"s specifications, therefore it's provided with CE checked and certified with own documentations.

The contents of the present documentation are not binding for DIPSA TECHNES s.r.l. who reserves the right to make modifications of any kind, at any time, without bringing this publication up-to-date.